

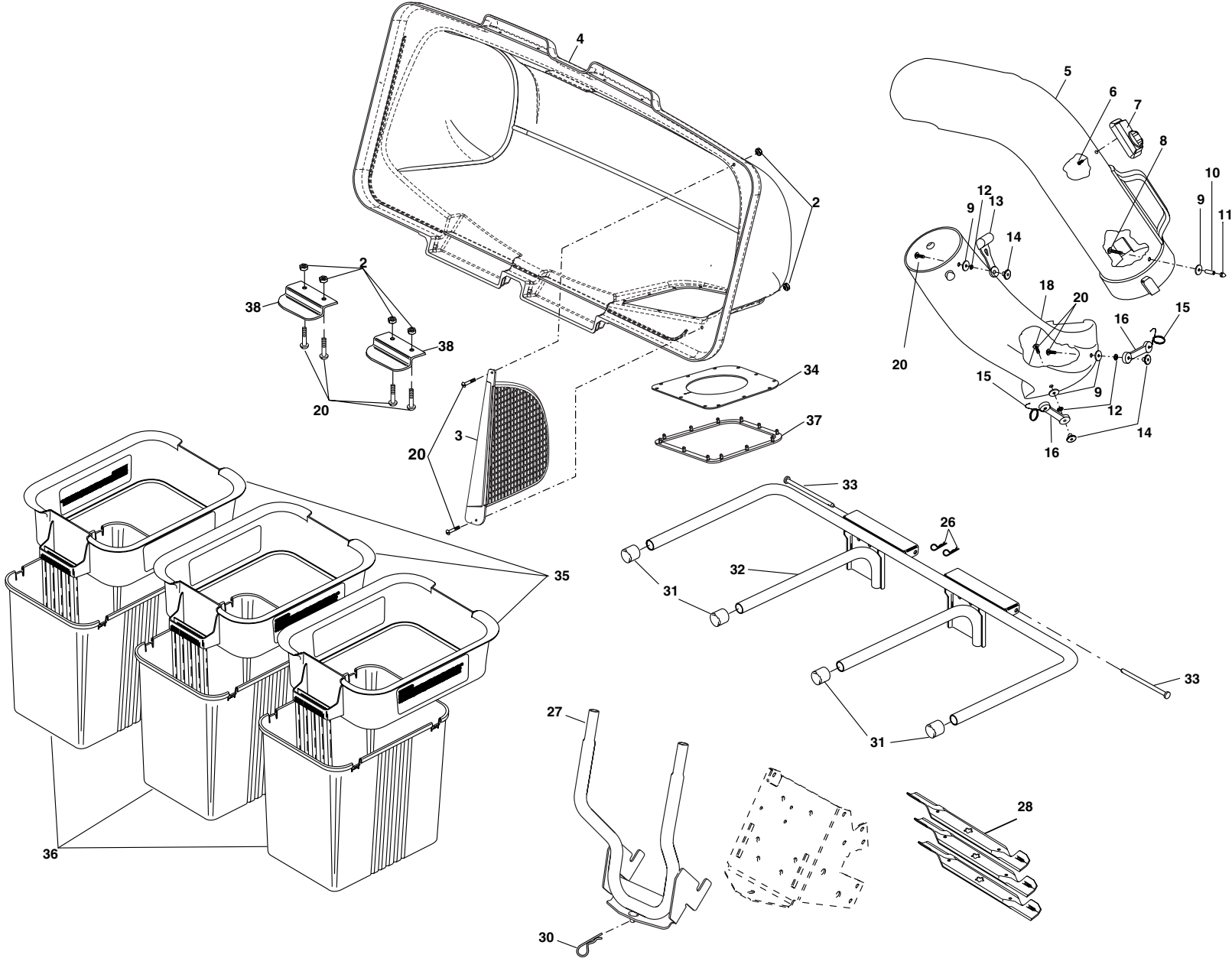
Illustrated Parts List
Model GTT354
Mfg. ID No. 96072001000
Product No. 960 72 00-10
54 Inch Mower
Grass Catcher

- **Repair Parts**
-

REPAIR PARTS

GRASS CATCHER - MODEL GTT354 (MFG. ID 96072001000) / RAMASSE-HERBE - MODÈLE GTT354 (MFG ID 96072001000)

PRODUCT NUMBER 960 72 00-10 / NO. DE PRODUIT 960 72 00-10



REPAIR PARTS

GRASS CATCHER - MODEL GTT354 (MFG. ID 96072001000) / RAMASSE-HERBE - MODÈLE GTT354 (MFG ID 96072001000)

PRODUCT NUMBER 960 72 00-10 / NO. DE PRODUIT 960 72 00-10

KEY NO.	PART NO.	DESCRIPTION	KEY NO.	PART NO.	DESCRIPTION	
2	532069180	Nut, Crownlock #10-24	18	532187300	Chute, Lower	Glissière inférieure
3	532192709	Screen, Cover	20	871161010	Screw #10-24 x 5/8	Vis #10-24 x 5/8
4	532195373	Cover Assembly (Includes 34, 37)	26	532124670	Spring, Retainer	Ressort de retenue
5	532187299	Chute, Upper	27	532176987	Support Assembly "A"	Ensemble du support "A"
6	818021008	Screw, Special #10-14x1/2		532198128	Support Assembly "B"	Ensemble du support "B"
7	532130933	Full Bag Indicator	28	532187256	Blade, 54" High Lift	Lame de portance élevée 54"
8	532087175	Screw, #10-24 x 1-1/8	30	532165898	Spring, Retainer	Ressort de retenue
9	819061216	Washer 3/16x3/4x16 Ga.	31	532174083	Plug, Tubing End	Capuchon d'extrémité de tuyau
10	532007206	Spacer, Split	32	532176990	Bagger, Frame	Cadre de ramasse-herbe
11	532060867	Nut, Acorn #10-24	33	532192786	Pin, Hinge	Goupille de charnière
12	810071000	Washer, lock	34	532192550	Gasket, Cover	Garniture de couvercle
13	532109808	Latch, Chute	35	532183286	Container, Top	Bac à gazon supérieur
14	532125004	Nut, Weld	36	532129586	Container, Bottom	Bac à gazon inférieur
15	532130760	Latch, Hook	37	532192603	Ring, Cover Gasket	Sceau de couvercle
16	532130759	Rubber, Latch	38	532130895	Latch Handle, Cover	Poignée de loquet de couve
			—	532402349	Owner's Manual	Manuel de propriétaire